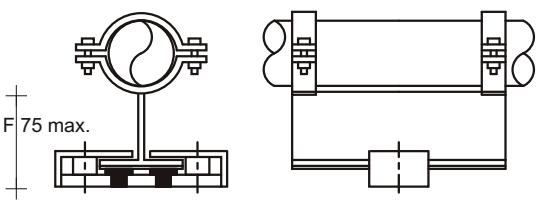


PIPE SLIDE GUIDES

Models PSG(L), PSG(M) + PSG(H)



Nominal Size DN (mm)	Maximum Force (N)	Product Code For Steel Pipes (model-size)	Product Code For Copper Pipes (model-size)
50	800	PSG(L)S-050	PSG(L)C-054
65	800	PSG(L)S-065	PSG(L)C-067
80	800	PSG(L)S-080	PSG(L)C-076
100	800	PSG(L)S-100	PSG(L)C-108
125	800	PSG(L)S-125	PSG(L)C-133
150	800	PSG(L)S-150	PSG(L)C-159

LIGHT DUTY SLIDE GUIDES

This guide consists of a welded steel slider with stainless steel sliding surface and steel pipe clips to suit steel pipe. Complete with a steel guide base with low friction PTFE inserts. (Coef. Friction = 0.1)

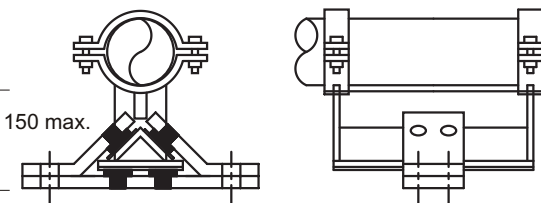
For copper pipe, the steel pipe clamp bands are lined to prevent contact between dissimilar metals.

Suitable for pipes up to DN150 or insulation diameter of 300mm. The dimension from the underside of base to the underside of the pipe is between 35 and 75mm; to be agreed with the client.

Suitable for horizontal pipes supported from beneath only.

Standard length is 300mm, allowing 250mm of travel. A shorter length of 150mm can be manufactured, allowing 100mm of travel. Guide bases must be supported over their whole area.

MAXIMUM LATERAL FORCE (when F=75mm) = 800N.
This is determined by the bearing capacity of PTFE inserts of 700N/cm².



Nominal Size DN (mm)	Maximum Force (N)	Product Code For Steel Pipes (model-size)	Product Code For Copper Pipes (model-size)
50	800	PSG(M)S-050	PSG(M)C-054
65	800	PSG(M)S-065	PSG(M)C-067
80	800	PSG(M)S-080	PSG(M)C-076
100	800	PSG(M)S-100	PSG(M)C-108
125	800	PSG(M)S-125	PSG(M)C-133
150	800	PSG(M)S-150	PSG(M)C-159

MEDIUM DUTY SLIDE GUIDES

This guide consists of a welded steel slider with stainless steel sliding surface and steel pipe clips to suit steel pipe. Complete with a steel guide base with low friction PTFE inserts. (Coef. Friction = 0.1)

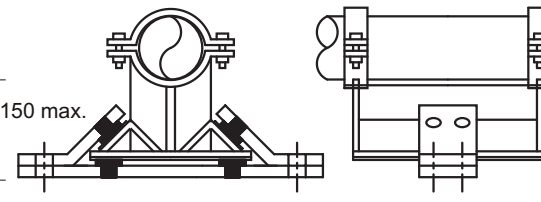
For copper pipe, the steel pipe clamp bands are lined to prevent contact between dissimilar metals.

Suitable for pipes up to DN150 or insulation diameter of 300mm. The dimension from the underside of base to the inside of the pipe clip must be between 80 and 150mm; to be agreed with the client.

Suitable for horizontal and vertical pipes, supported from the floor, ceiling or wall.

Standard length is 300mm, allowing 160mm of travel. Guide bases must be supported over their whole area.

MAXIMUM LATERAL FORCE (when F=150mm) = 800N.
This is determined by the bearing capacity of PTFE inserts of 700N/cm².



Nominal Size DN (mm)	Maximum Force (N)	Product Code For Steel Pipes (model-size)
200	1600	PSG(H)S-200
250	1600	PSG(H)S-250
300	2400	PSG(H)S-300
400	6400	PSG(H)S-400
500	6400	PSG(H)S-500
600	6400	PSG(H)S-600

HEAVY DUTY SLIDE GUIDES

This guide consists of a welded steel slider with stainless steel sliding surface and steel pipe clips to suit steel pipe. Complete with a steel guide base with low friction PTFE inserts. (Coef. Friction = 0.1)

Suitable for pipes up to DN600 or insulation diameter of 600mm. The dimension from the underside of base to the inside of the pipe clip must be between 80 and 150mm; to be agreed with the client.

Suitable for horizontal and vertical pipes, supported from the floor, ceiling or wall.

Standard length is 300mm, allowing 160mm of travel. Longer lengths can be manufactured to allow for more travel. Guide bases must be supported over their whole area.

MAXIMUM LATERAL FORCE (when F=150mm) = 1600 - 6400N.
This is determined by the bearing capacity of PTFE inserts of 700N/cm².

EXTRA HEAVY DUTY SLIDE GUIDES

PSG(XH)S for steel pipes accommodate up to 16kN lateral force.