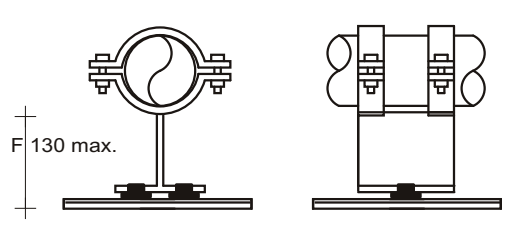


PIPE SKIDS

Models PS(L), PS(M) + PS(H)



Nominal Size (mm)	Product Code For Steel Pipes (model-size)	Product Code For Copper Pipes (model-size)
50	PS(L)S-050	PS(L)C-054
65	PS(L)S-065	PS(L)C-067
80	PS(L)S-080	PS(L)C-076
100	PS(L)S-100	PS(L)C-108
125	PS(L)S-125	PS(L)C-133
150	PS(L)S-150	PS(L)C-159

LIGHT DUTY SKIDS

This skid consists of a welded steel slider with low friction PTFE inserts and steel pipe clips to suit steel pipe. Complete with a steel guide base with stainless steel sliding surface.

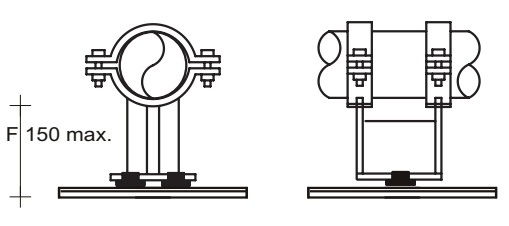
For copper pipe, the steel pipe clamp bands are lined to prevent contact between dissimilar metals.

Suitable for pipes up to DN150 or insulation diameter of 300mm. The dimension from the underside of base to the underside of the pipe is between 35 and 70mm; this must be specified by the client.

Suitable for horizontal pipes supported from beneath only.

Standard length is 100mm between pipe clips. There is no standard dimension for the skid base; the length and width must be determined to allow for the required amount of travel.

Skid bases must be supported over their whole area.



Nominal Size (mm)	Product Code For Steel Pipes (model-size)	Product Code For Copper Pipes (model-size)
50	PS(M)S-050	PS(M)C-054
65	PS(M)S-065	PS(M)C-067
80	PS(M)S-080	PS(M)C-076
100	PS(M)S-100	PS(M)C-108
125	PS(M)S-125	PS(M)C-133
150	PS(M)S-150	PS(M)C-159

MEDIUM DUTY SKIDS

This skid consists of a welded steel slider with low friction PTFE inserts and steel pipe clips to suit steel pipe. Complete with a steel guide base with stainless steel sliding surface.

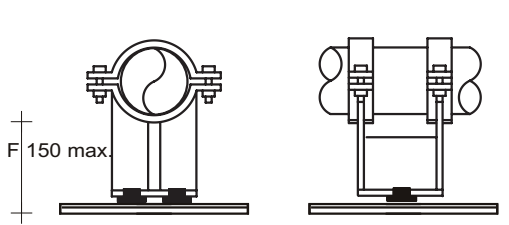
For copper pipe, the steel pipe clamp bands are lined to prevent contact between dissimilar metals.

Suitable for pipes up to DN150 or insulation diameter of 300mm. The dimension from the underside of base to the inside of the pipe clip must be between 80 and 150mm; this must be specified by the client.

Suitable for horizontal pipes supported from beneath only.

Standard length is 100mm between pipe clips. There is no standard dimension for the skid base; the length and width must be determined to allow for the required amount of travel.

Skid bases must be supported over their whole area.



Nominal Size (mm)	Product Code For Steel Pipes (model-size)
200	PS(H)S-200
250	PS(H)S-250
300	PS(H)S-300
400	PS(H)S-400
500	PS(H)S-500
600	PS(H)S-600

HEAVY DUTY SKIDS

This skid consists of a welded steel slider with low friction PTFE inserts and steel pipe clips to suit steel pipe. Complete with a steel guide base with stainless steel sliding surface.

For plastic pipe, the steel pipe clamp bands are lined.

Suitable for pipes up to DN600 or insulation diameter of 600mm. The dimension from the underside of base to the inside of the pipe clip must be between 80 and 150mm; this must be specified by the client.

Suitable for horizontal pipes supported from beneath only.

Standard length is 100mm between pipe clips. There is no standard dimension for the skid base; the length and width must be determined to allow for the required amount of travel.

Skid bases must be supported over their whole area.