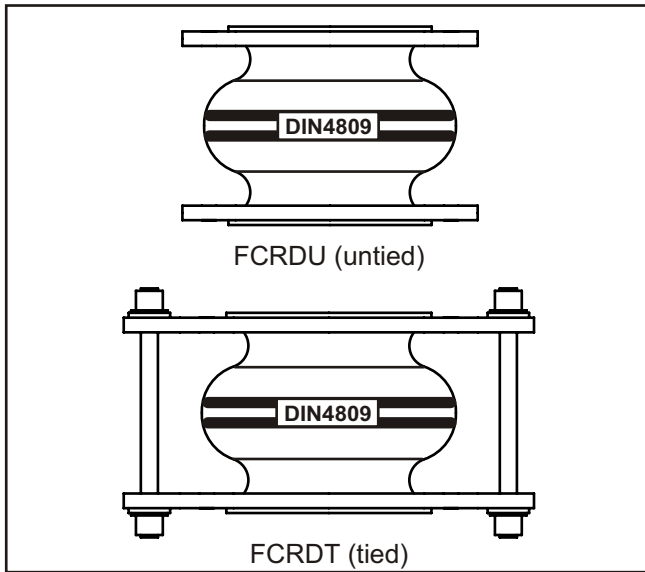


# RUBBER FLEXIBLE CONNECTORS DIN4809

## Model FCRDU + FCRDT



### APPLICATIONS

Rubber flexible connectors are designed to reduce noise and vibration transmission from plant items.

These models have inert EPDM rubber to ALL wetted parts, and can be used accordingly on steel, copper or plastic pipes for the following applications:-

Low Temperature Heating (LTHW)  
Chilled Water (CHW)  
Condenser Water (Cond.W)



Nominal Size DN (mm)	Installation Length (mm)	Axial Compression (mm)	Axial Elongation (mm)	Lateral Shear (mm)	Product Code (MODEL-SIZE-OAL-ENDS)
25	130	30	15	30	FCRD(U)(T)-025-130-PN##
32	130	30	15	30	FCRD(U)(T)-032-130-PN##
40	130	30	15	30	FCRD(U)(T)-040-130-PN##
50	130	30	15	30	FCRD(U)(T)-050-130-PN##
65	130	30	15	30	FCRD(U)(T)-065-130-PN##
80	130	30	15	30	FCRD(U)(T)-080-130-PN##
100	130	30	15	30	FCRD(U)(T)-100-130-PN##
125	130	30	15	30	FCRD(U)(T)-125-130-PN##
150	130	30	15	30	FCRD(U)(T)-150-130-PN##
200	130	30	15	30	FCRD(U)(T)-200-130-PN##
250	130	30	15	30	FCRD(U)(T)-250-130-PN##
300	130	30	15	30	FCRD(U)(T)-300-130-PN##

The data above is for non PED and SEP applications only.  
For more demanding applications, these flexible connectors must not be used.  
Refer to other flexible connector models.

### SPECIFICATION

FCRDU - Untied model with polymer reinforced epdm rubber bellows and carbon steel round flanges. Also available with unions.

FCRDT - Tied model with polymer reinforced epdm rubber bellows and carbon steel 'profiled' flanges and tie bars with noise absorbing top hat rubber bushes.

Designed to the DIN4809\* Standard for heating plant. Fully approved and certified to this effect. \*Deutsches Institut für Normung.

Independently tested by TÜV\* test house, according to DIN4809. \*German Technical Inspection Association.

Laboratory tested for noise & vibration reduction.

Fully traceable and has the date of manufacture, DIN approval registration number, pressure and temperature rating, nominal diameter, manufacturer, model and identifiable colour coding permanently moulded into the membrane.

### OPERATING PARAMETERS

#### Untied Flanged models

Working Temperature = 100 °C.  
Working Pressure = 10 Barg.  
Cold Test Pressure = 15 Barg.

(If the pipe/plant is not rigid, then the working pressure must not exceed 3 Barg.)

#### Tied Flanged models

Working Temperature = 100 °C.  
Working Pressure = 10 Barg.  
Cold Test Pressure = 15 Barg.

#### Both models

Min. Burst Pressure = >30 Barg. after 10 years.  
(Verified and certified in compliance with DIN4809 Parts 1 & 2).

When fitting to plant that is mounted on anti-vibration mounts or on inertia bases, then the Tied Flanged model must be used.