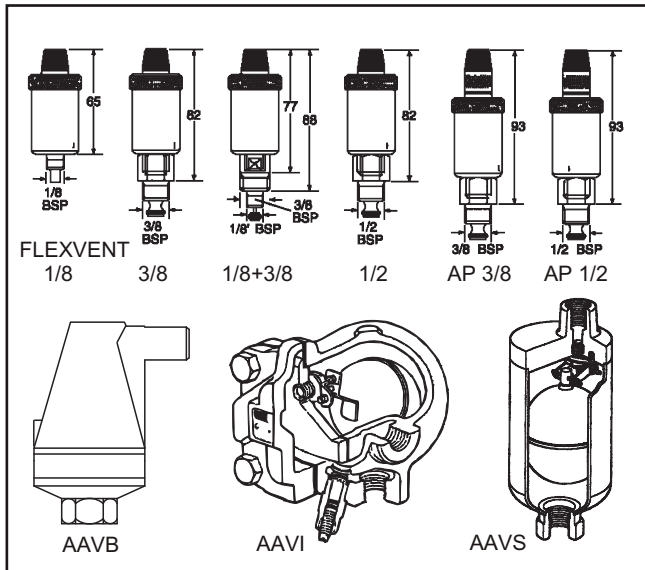


AUTOMATIC AIR VENTS

Model AAV



APPLICATIONS

Automatic air vents are designed to vent air from both open and sealed heating and cooling systems.

They should be mounted in a vertical position where air is collected naturally in the pipe system.

These models have brass, dezincification resistant alloy, iron or stainless steel bodies and can be used accordingly on steel, copper or plastic pipes for the following applications:-

- Low Temperature Heating (LTHW)
- Medium Temperature Heating (MTHW)
- Chilled Water (CHW)
- Condenser Water (Cond.W)
- Cold Water (CWS)
- Hot Water (HWS)

They are available with the option of shut-off valves.

Inlet Size	Overall Height (mm)	Chamber Diameter (mm)	Outlet Connection	Product Code (MODEL-SIZE)
1/8"	65	32	(To atmosphere only)	FLEXVENT-1/8
3/8"	82	32	(To atmosphere only)	FLEXVENT-3/8
1/8-3/8"	88-77	32	(To atmosphere only)	FLEXVENT-1/8+3/8
1/2"	82	32	(To atmosphere only)	FLEXVENT-1/2
3/8"	93	32	(To atmosphere only)	FLEXVENT-AP-3/8
1/2"	93	32	(To atmosphere only)	FLEXVENT-AP-1/2
1/2"	119	73	22mm tube to suit compression joint	AAVB-15
1/2"	105	56	1/4" BSP male thread	AAVD-15
1/2"	147	148	1/2" BSP female thread	AAVI-15
3/4"	147	148	3/4" BSP female thread	AAVI-20
3/4"	175	72	1/2" BSP female thread	AAVS-20

SPECIFICATION

FLEXVENT - Brass bodied model, with male threaded inlet connection. An additional shut-off valve is available for all models except FLEXVENT-1/8. An air intake preventer is on 'AP' models.

AAVB - Brass bodied model, with female threaded inlet connection and machined tube outlet to accept a compression fitting.

AAVD - Dezincification resistant copper alloy bodied model, with female threaded inlet connection and male threaded outlet connection.

AAVI - Iron bodied model, with female threaded inlet and outlet connections, utilising a stainless steel ball float.

AAVS - Stainless steel bodied model, with female threaded inlet and outlet connections, utilising a stainless steel ball float and fully stainless steel internal mechanism.

OPERATING PARAMETERS

Flexvent and Brass Bodied model

Operating Temperature, TS = 110 °C to -10 °C
 Operating Pressure, PS = 10 Barg. (Cold Test = 13 Barg.)

DZR Alloy Bodied model

Operating Temperature, TS = 110 °C.
 Operating Pressure, PS = 10 Barg. (Cold Test = 15 Barg.)

Iron Bodied model

Operating Temperature, TS = 200 °C.
 Operating Pressure, PS = 14 Barg. (Cold Test = 21 Barg.)

Stainless Steel Bodied model

Operating Temperature, TS = 400 °C.
 Operating Pressure, PS = 20 Barg. (Cold Test = 30 Barg.)