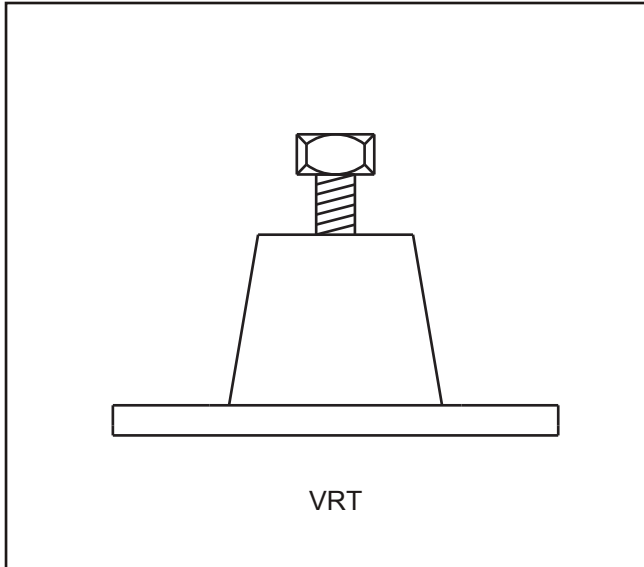


RUBBER TURRET MOUNTS

Model VRT



APPLICATIONS

Rubber turret mounts are designed to reduce noise and vibration transmission from plant items.

These models have a rubber isolating element which is used in compression.

When supported on a solid floor, they can be used accordingly for the following applications :-

- Pumps (high speed)
- Compressors
- Air Handling Units
- Cooling Towers
- Condensers
- Fan Motors (>2700rpm)

Load Capacity (kg)	Turret Range and Colour	Fixing Size	Design Deflection (mm)	Installation Height (mm)	Product Code (MODEL-LOAD-COLOUR-DEFL)
25 - 100 100 - 300 300 - 750	A - BLACK B - BLACK C - BLACK	M8 M10 M12	2 - 8 9 - 14 12 - 20	37 46 68	VRT-A-BLACK VRT-B-BLACK VRT-C-BLACK
25 60 100	A - GREEN A - RED A - YELLOW	M8 M8 M8	6 6 6	32 32 32	VRT-A-025-GRN-6 VRT-A-060-RED-6 VRT-A-100-YEL-6
85 200 350	B - GREEN B - RED B - YELLOW	M10 M10 M10	10 10 10	46 46 46	VRT-B-085-GRN-10 VRT-B-200-RED-10 VRT-B-350-YEL-10
150 350 700	C - GREEN C - RED C - YELLOW	M12 M12 M12	14 14 14	73 73 73	VRT-C-150-GRN-14 VRT-C-350-RED-14 VRT-C-700-YEL-14

SPECIFICATION

VRT-A/B/C-BLACK - Black oil resistant neoprene turret with encapsulated steel base plate, moulded in one piece with slip resistant top and base. Provided with a BZP threaded steel top fixing. This is a standard model with a broad load range.

VRT - Coloured natural rubber turret with encapsulated steel base plate, moulded in one piece with slip resistant top and base. Provided with a BZP threaded steel top fixing. This is a precision model with a precise load capacity.

OPERATING PARAMETERS

These models are designed to operate up to 100 °C.

High vibration isolation efficiency of over 95% for plant forcing frequencies greater than 33Hz. (e.g. 2000 rpm pumps).

It is recommended that these models are loaded by at least 20% of their load capacity indicated in the table.