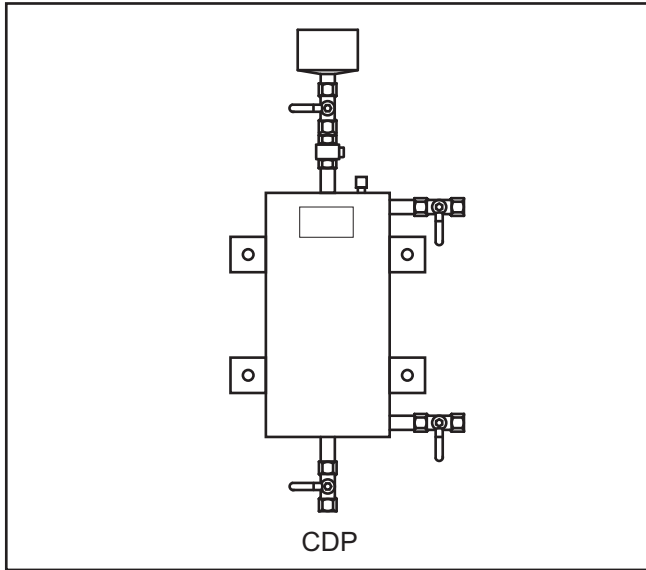


CHEMICAL DOSING POTS (MANUAL)

Model CDP



APPLICATIONS

Chemical dosing pots are designed to facilitate the safe introduction of water treatment chemicals into heating and cooling systems.

This model is designed to be wall mounted. It provides two valved system inlet and outlet connections on the right hand side, a valved chemical inlet via tundish and check valve on the top and a valved bottom drain. A manual air vent is fitted to the top of the pot.

Right-handed inlet / outlet connections are supplied as standard, but left-handed models are available on request.

This model is manufactured from carbon steel and can be used accordingly for the following applications:-

Low Temperature Heating (LTHW)
Chilled Water (CHW)
Condenser Water (Cond.W)

Chemical Dosing Sets (Automatic) and Sample Coolers (Manual) are also available.

Nominal Volume (litres)	Actual Volume (litres)	Connection / Tundish Size (mm)	Vessel Height (mm)	Vessel Diameter (mm)	Product Code (MODEL-VOL-DIAM-CONN.SIZE)
5	5.4	25 / 100	270	160	CDP-05L-160-25(10bar) CDP-10L-220-25(10bar) CDP-15L-220-25(10bar)
10	10.6	25 / 100	280	220	
15	15.9	25 / 100	420	220	
20	21.3	25 / 100	750	200	CDP-20L-200-25(7bar) CDP-25L-220-25(7bar)
25	26.6	25 / 100	700	220	
<p>The data above is for non PED and SEP applications only. For more demanding applications, these dosing pots must not be used. Refer to bespoke special order models, which will be dependant upon the design for the pressure and temperature of the fluid conveyed and upon the volume of the vessel.</p>					
30	Special Order	25 / 100	500	300	CDP-30L-300-25 CDP-40L-300-25
40	Order	25 / 100	600	300	
50	Special Order	25 / 100	TBA	TBA	CDP-50L CDP-60L
60	Order	25 / 100	TBA	TBA	

SPECIFICATION

CDP - Steel pot with male threaded steel connections to ISO7. With brass quarter turn ball valves, brass check valve and steel tundish. A brass manual air vent is fitted on the top.

CDPN - As above but with stainless steel pot, ball valves, check valve and tundish.

Conforms with PED* 97/23/EC. *Pressure Equipment Directive.

Also available: -

CDS - Chemical Dosing Sets, which include a dosing pump, with interconnecting tubing and foot valve, chemical storage tank, bund tank and control / timer.

SC - Sample Coolers - taking water samples from a pressurised system is dangerous. Where it is necessary to take a water sample from a system above 80°C, a sample cooler is essential.

OPERATING PARAMETERS

Operating Temperature, TS = 90 °C.
Operating Pressure, PS = 10 Barg. (for 5, 10 & 15 litre cap.)
Operating Pressure, PS = 7 Barg. (for 20 & 25 litre cap.)
Cold Test Pressure, PT = 1.5 x Operating Pressure

Select the capacity of the dosing pot relative to the system volume:-

Pot Capacity

5 litres
10 litres
15 litres
20 litres
25 litres

System Volume

up to approx. 8000 litres
up to approx. 12000 litres
up to approx. 15000 litres
up to approx. 20000 litres
up to approx. 25000 litres

Note that dosing pot dimensions above 25 litre nominal volume are quite considerable; it is worth bearing in mind that in order to dose a pipe system with 50 litres of liquid chemical, a 25 litre dosing pot can be filled and admitted to the system twice over.